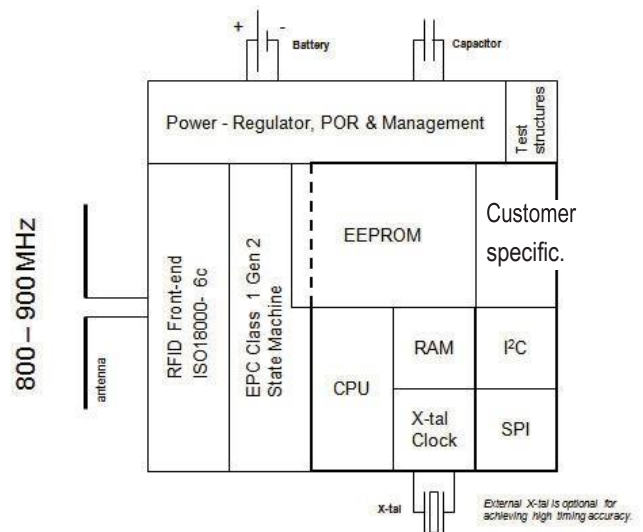


RFID UHF transponder with SPI master interface (ISO 18000-6c)

Advance Information D18BL01 EPC GEN2

Key features

- Provides RFID access to any SPI slave
- Fully compliant with ISO 18000-6c
- Anti-collision and selection
- Compliant with EPC GEN2 Class 3 (semi-passive)
- Inventory round fully supported
- Data transfer rate up to 640 kb/s
- Configurable EPC and TID memory
- 1 kb user accessible EEPROM
- SPI transfer rate up to 1 MHz
- Custom commands from reader to SPI
- Available in 10-lead SOIC, other packages on request
- Known Good Die on request
- Operation **up to 6 m** from reader with adapted antenna



Description

The DELTA Microelectronics D18BL01 is an EPC GEN2 Class 3 transponder equipped with a master SPI interface. All mandatory EPC GEN2 Class 1 protocol commands are supported.

Custom commands allow direct access to SPI slave resources. With an adapted antenna operation up to 6 m from reader is possible.

Reference design exists.

Applications

RF reading of temperature, acceleration, pressure, tilt, voltage, light etc.

For further information please contact us
asic@delta.dk